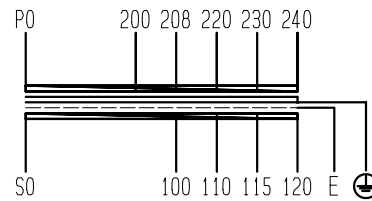
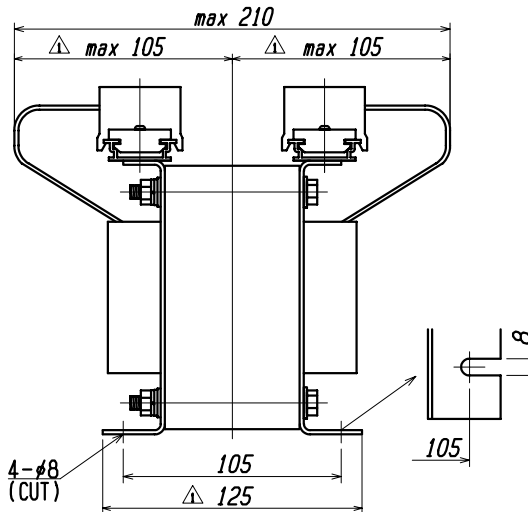
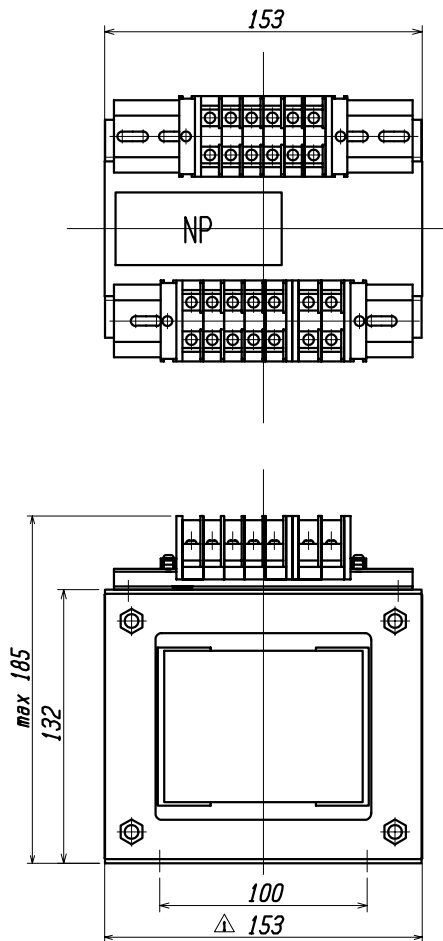
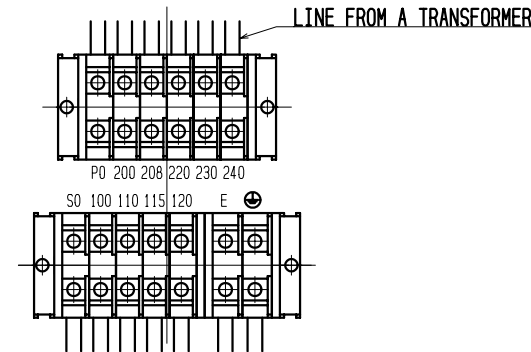




CONNECTION DIAGRAM



△ TERMINAL ARRANGEMENT



DRY-TYPE TRANSFORMER
FOR INDOOR USE ONLY

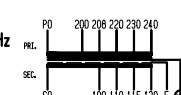
PHASE	1	
FREQUENCY	50/60	Hz
RATING	CONT.	
CAPACITY	500	VA
PRI. VOLTAGE	240-230-220-208-200	V
SEC. VOLTAGE	120-115-110-100	V
SEC. CURRENT	5.00	A
INS. CLASS	Class 130(B) Des. 130	
MASS	10	kg
DIELECTRIC STRENGTH		
P-E	2.5 kV	1min
P-S	2.5 kV	1min
S-E	2.5 kV	1min
STANDARD	UL1446	
UL File No.	E222180(Ins.)	

TERMINAL (TOYOGIKEN)

- PRI.: PT-30 30A, M4, 6P, max 3.5sq
- SEC.: PT-30 30A, M4, 5P, max 3.5sq
- E : PT-40 40A, M4, 1P, max 5.5sq
- ⊕ : PT-40 40A, M4, 1P, max 5.5sq

NAME PLATE

DRY-TYPE TRANSFORMER
TYPE AUL-500E
PHASE 1 CLASS 130(B)
CAPACITY 500 VA FREQ. 50/60 Hz
PRI. V 240-230-220-208-200 V
SEC. V 120-115-110-100 V
SEC. A 5.00 A MASS 10 kg
% IMP % at 75°C
DATE SER. No.



AIHARA ELECTRIC CO., LTD.



			尺度 SCALE	検図 CHECKED	設計 DESIGNED	製図 DRAWN	担当者 APPROVED	名称 TITLE
			単位 UNIT					DRY-TYPE TRANSFORMER
△	'11.09.05	CHANGE OF NOTATION, DIMENSIONS POSTSCRIPT						図面番号 DRY 6 NL
符号 MARK	年月日 DATE	記事 CONTENTS	第三角法 3RD ANGLE PROJECTION	日付 DATE	相原電機株式会社 AIHARA ELECTRIC CO., LTD.			
変更 CHANGE								