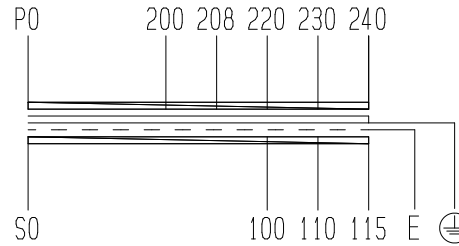
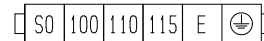
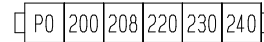




CONNECTION DIAGRAM



TERMINAL ARRANGEMENT



DRY-TYPE TRANSFORMER  
FOR INDOOR USE ONLY

PHASE	1	
FREQUENCY	50/60	Hz
RATING	CONT.	
CAPACITY	3	kVA
PRI. VOLTAGE	240-230-220-208-200 V	
SEC. VOLTAGE	115-110-100 V	
SEC. CURRENT	30.0	A
INS. CLASS	Class 130(B) Des. 18	
MASS	35	kg
DIELECTRIC STRENGTH		
	P-E	2.5 kV 1min
	P-S	2.5 kV 1min
	S-E	2.5 kV 1min

STANDARD UL1446

UL File E222180(Ins.)

WITH EARTH-SHIELD PLATE BETWEEN  
H.V. AND L.V. WINDING

TERMINAL (TOYOGIKEN)

PRI.: PT-80 75A, M5

SEC.: PT-90 95A, M6

⊕ : PT-40 40A, M4

E : PT-40 40A, M4

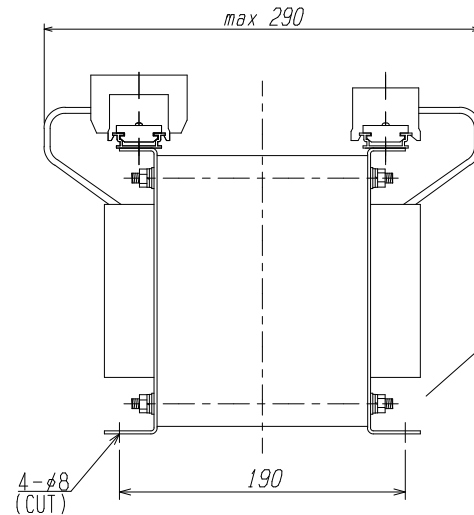
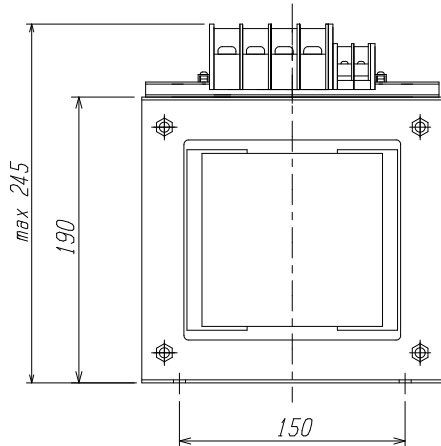
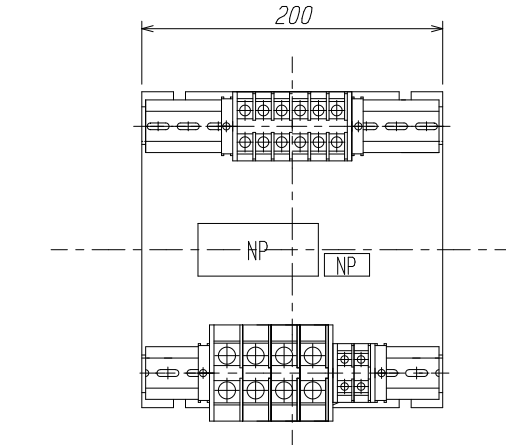
NAME PLATE

DRY-TYPE TRANSFORMER  
TYPE AUL-3KE

PHASE 1 CLASS 130(B)	
CAPACITY 3 kVA FREQ. 50/60 Hz	
PRI. V 240-230-220-208-200 V	
SEC. V 115-110-100 V	
SEC. A 30.0 A MASS 35 kg	
% IMP % at 75 °C	
DATE SER. No.	

AIHARA ELECTRIC CO., LTD.

FILE No. E222180  
Class130(B)Ins. Des. 18



尺度 SCALE	/	検図 CHECKED	設計 DESIGNED	製図 DRAWN	担当者 APPROVED	名称 TITLE	AUL-3KE DRY-TYPE TRANSFORMER
単位 UNIT	mm					図面番号 DR'G NO.	
符号 MARK	年月 DATE	記事 CONTENTS	日付 DATE	相原電機株式会社 AIHARA ELECTRIC CO., LTD.			
変更 CHANGE		第三角法 3RD ANGLE PROJECTION					