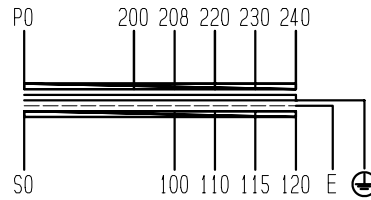
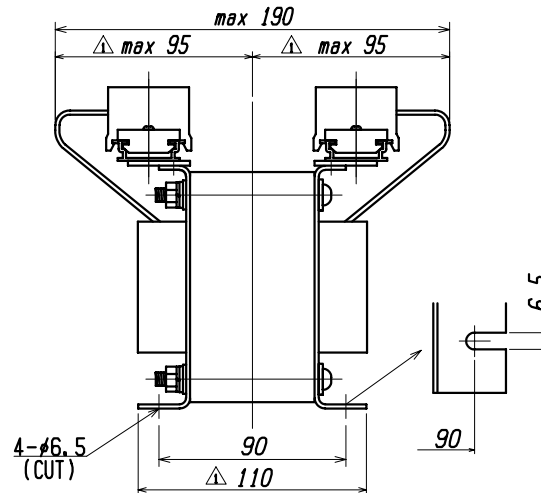
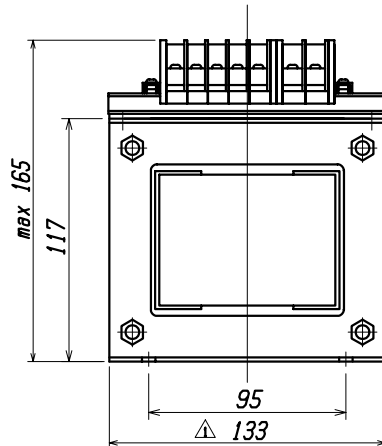
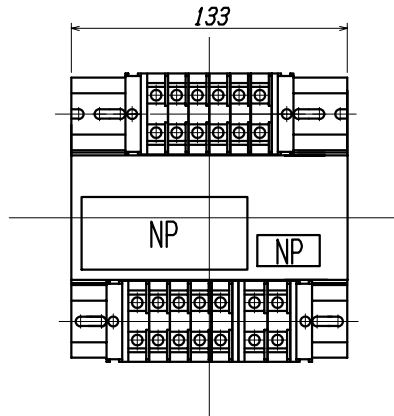
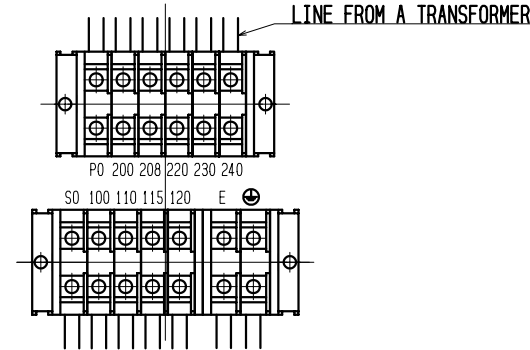




CONNECTION DIAGRAM



△ TERMINAL ARRANGEMENT



DRY-TYPE TRANSFORMER
FOR INDOOR USE ONLY

PHASE	1	
FREQUENCY	50/60	Hz
RATING	CONT.	
CAPACITY	300	VA
PRI. VOLTAGE	240-230-220-208-200 V	
SEC. VOLTAGE	120-115-110-100 V	
SEC. CURRENT	3.00	A
INS. CLASS	Class 130(B) Des. 130	
MASS	8	kg
DIELECTRIC STRENGTH		
P-E	2.5 kV	1min
P-S	2.5 kV	1min
S-E	2.5 kV	1min

STANDARD UL1446
UL File No. E222180(Ins.)

WITH EARTH-SHIELD PLATE BETWEEN
H. V. AND L. V. WINDING

TERMINAL (TOYOGIKEN)

- PRI.: PT-30 30A, M4, 6P, max 3.5sq
- SEC.: PT-30 30A, M4, 5P, max 3.5sq
- ⊕ : PT-40 40A, M4, 1P, max 5.5sq
- E : PT-40 40A, M4, 1P, max 5.5sq

NAME PLATE

DRY-TYPE TRANSFORMER
TYPE AUL-300E
PHASE 1 CLASS 130(B)
CAPACITY 300 VA FREQ. 50/60 Hz
PRI. V 240-230-220-208-200 V
SEC. V 120-115-110-100 V
SEC. A 3.00 A MASS 8 kg
% IMP % at 75 °C
DATE SER. No.

AIHARA ELECTRIC CO., LTD.

FILE No. E222180
Class 130(B) Ins. Des. 130

			尺度 SCALE	検 査 CHECKED	設 計 DESIGNED	製 図 DRAWN	担 当 者 APPROVED	名 称 TITLE
			単位 UNIT					AUL-300E
△	'11.09.05	CHANGE OF NOTATION, DIMENSIONS POSTSCRIPT						DRY-TYPE TRANSFORMER
符 号 MARK	年 月 日 DATE	記 事 CONTENTS	第三角法 3RD ANGLE PROJECTION	日 付 DATE	相原電機株式会社 AIHARA ELECTRIC CO., LTD.			図 号 番 号 DRY & NL
変 更 CHANGE								