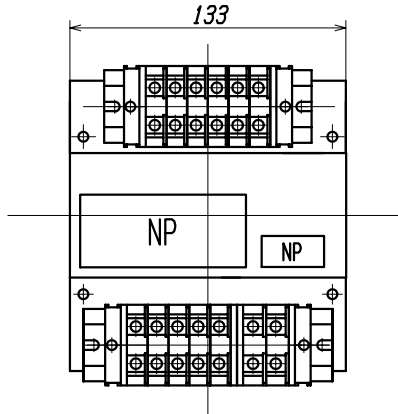


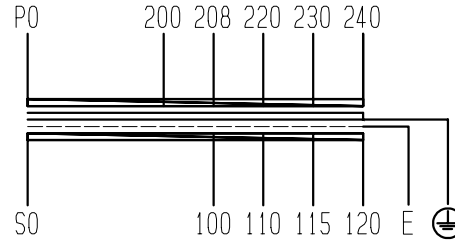


DRY-TYPE TRANSFORMER
FOR INDOOR USE ONLY

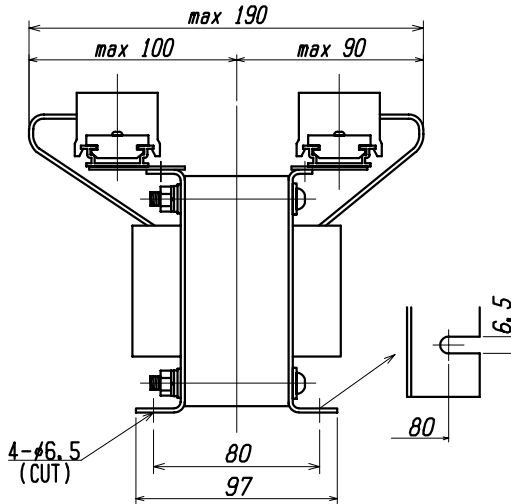
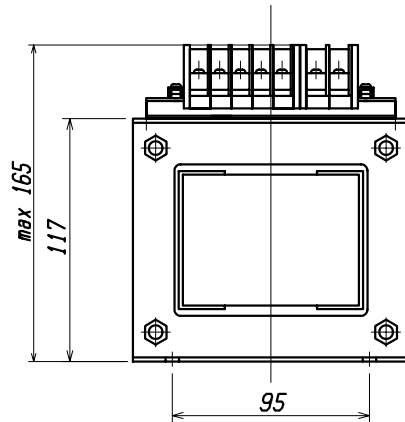
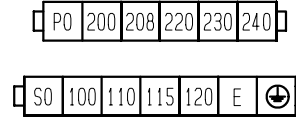
PHASE	1	
FREQUENCY	50/60	Hz
RATING	CONT.	
CAPACITY	200	VA
PRI. VOLTAGE	240-230-220-208-200	V
SEC. VOLTAGE	120-115-110-100	V
SEC. CURRENT	2.00	A
INS. CLASS	Class 130(B) Des. 130	
MASS	6	kg
DIELECTRIC STRENGTH		
	P-E	1.5 kV 1min
	P-S	1.5 kV 1min
	S-E	1.5 kV 1min
STANDARD UL1446		
UL File No. E222180(Ins.)		
WITH EARTH-SHIELD PLATE BETWEEN H. V. AND L. V. WINDING		
TERMINAL (TOYOGIKEN)		
PRI. :	PT-30, 6P, 30A, M4, max3.5sq	
SEC. :	PT-30, 5P, 30A, M4, max3.5sq	
E :	PT-40, 1P, 40A, M4, max5.5sq	
⊕ :	PT-40, 1P, 40A, M4, max5.5sq	



CONNECTION DIAGRAM



TERMINAL ARRANGEMENT



NAME PLATE

DRY-TYPE TRANSFORMER
TYPE AUL-200E
CLASS 130(B)
CAPACITY 200VA FREQ. 50/60 Hz
PRI. V 240-230-220-208-200 V
SEC. V 120-115-110-100 V
SEC. A 2.00 A MASS 6 kg
% IMP at 75 °C
DATE SER. No.
AIHARA ELECTRIC CO., LTD.

FILE No. E222180
Class 130(B) Ins. Des. 130

符号 MARK	年月 DATE	記事 CONTENTS	第三角法 3RD ANGLE PROJECTION	尺 度 SCALE /	検 査 CHECKED	設 計 DESIGNED	製 図 DRAWN	担 当 者 APPROVED	名 称 TITLE AUL-200E DRY-TYPE TRANSFORMER
変 更 CHANGE				単 位 UNIT	日 付 DATE	相原電機株式会社 AIHARA ELECTRIC CO., LTD.		図 番 号 DRY 6 NL	