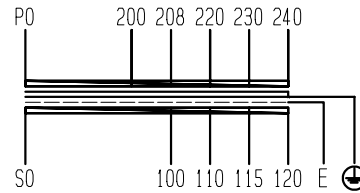




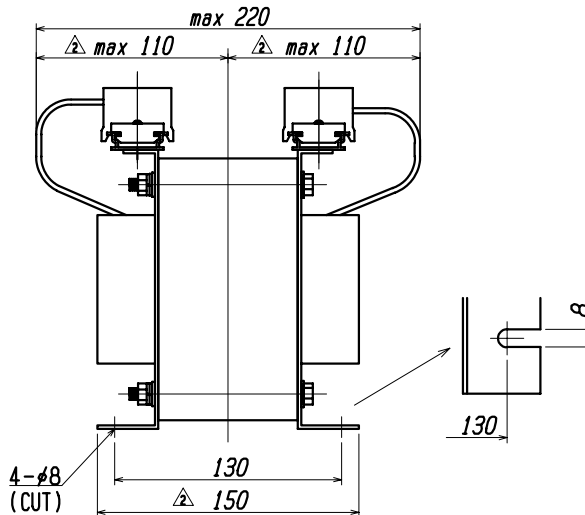
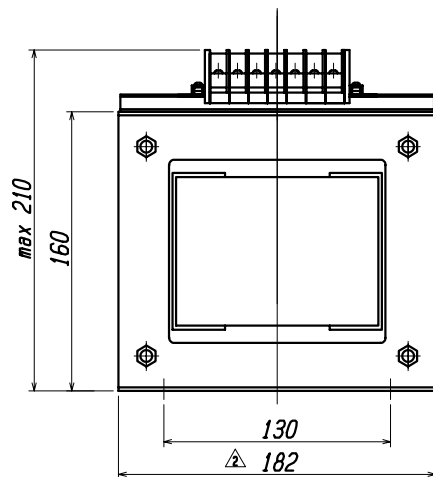
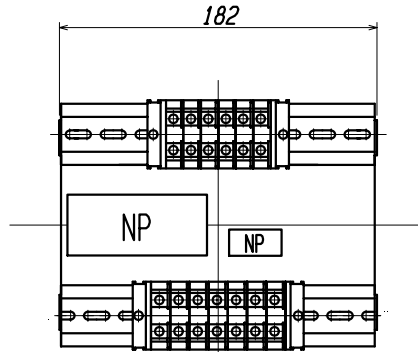
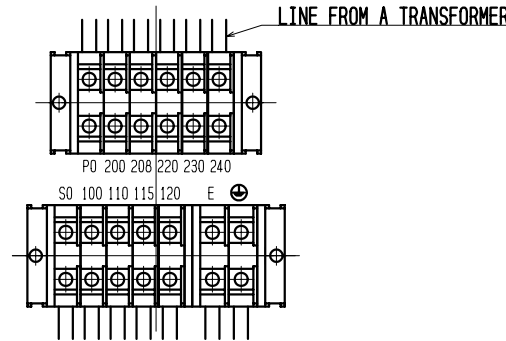
CONNECTION DIAGRAM



DRY-TYPE TRANSFORMER
FOR INDOOR USE ONLY

PHASE	1	
FREQUENCY	50/60	Hz
RATING	CONT.	
CAPACITY	1	kVA
PRI. VOLTAGE	240-230-220-208-200 V	
SEC. VOLTAGE	120-115-110-100 V	
SEC. CURRENT	10.0	A
INS. CLASS	Class 130(B) Des. 130 Δ	
MASS	18	kg
DIELECTRIC STRENGTH		
	P-E	2.5 kV 1min
	P-S	2.5 kV 1min
	S-E	2.5 kV 1min

Δ TERMINAL ARRANGEMENT



STANDARD	UL1446	
UL File No.	E222180(Ins.)	
WITH EARTH-SHIELD PLATE BETWEEN H.V. AND L.V. WINDING		
TERMINAL (TOYOGIKEN)		
PRI. :	PT-30	30A, M4, 6P, max3.5sq
SEC. :	PT-40	40A, M4, 5P, max5.5sq
⊕ :	PT-40	40A, M4, 1P, max5.5sq
E :	PT-40	40A, M4, 1P, max5.5sq

NAME PLATE

DRY-TYPE TRANSFORMER
TYPE AUL-1KE
PHASE 1 CLASS 130(B)
CAPACITY 1 kVA FREQ. 50/60 Hz
PRI. V 240-230-220-208-200 V
SEC. V 120-115-110-100 V
SEC. A 10.0 A MASS 18 kg
% IMP % at 75 °C
DATE SER. No.
AIHARA ELECTRIC CO., LTD.

FILE No. E222180
Class130(B) Ins. Des. 130 Δ

			尺 度 SCALE	/	検 閲 CHECKED	設 計 DESIGNED	製 図 DRAWN	担 当 者 APPROVED	名 称 TITLE
Δ	'11.09.05	CHANGE OF NOTATION, DIMENSIONS POSTSCRIPT	単 位 UNIT	mm					DRY-TYPE TRANSFORMER
Δ	'10.08.02	INS. CLASS DES. CHANGE	符 号 MARK	年月 DATE	記 事 CONTENTS	日 付 DATE	相原電機株式会社 AIHARA ELECTRIC CO., LTD.		図 番 号 DRY G. NO.
変 更 CHANGE			第 三 角 法 3RD ANGLE PROJECTION						