



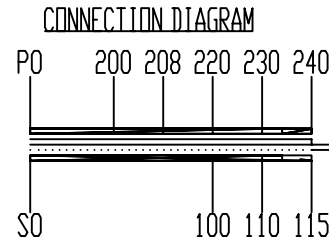
DRY-TYPE TRANSFORMER FOR INDOOR USE ONLY

PHASE	~	
FREQUENCY	50/60	Hz
RATING	CONT.	
CAPACITY	500	VA
PR. VOLTAGE	240-230-220-208-200 V	
SEC. VOLTAGE	115-110-100 V	
SEC. CURRENT	5.00	A
INS. CLASS	B	
MASS	10	kg
HIGHEST AMBIENT TEMPERATURE	40 °C	
STANDARD	EN61558-2-4 (IEC61558)	
DIELECTRIC STRENGTH		

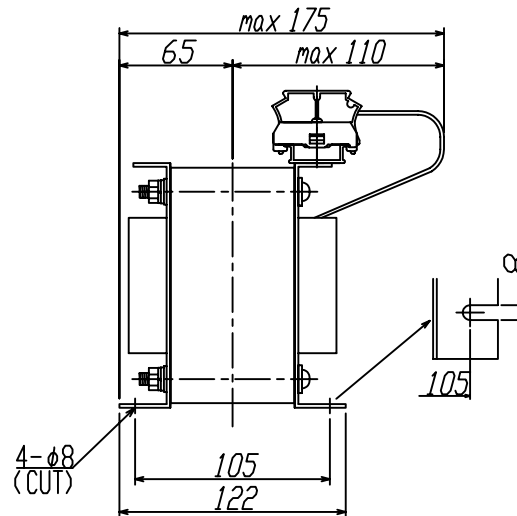
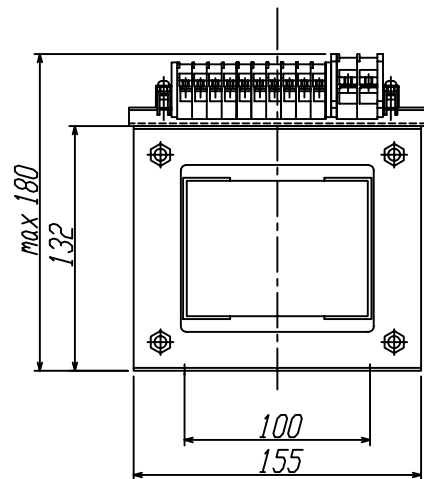
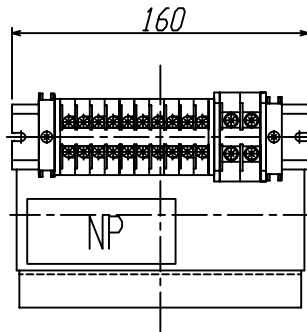
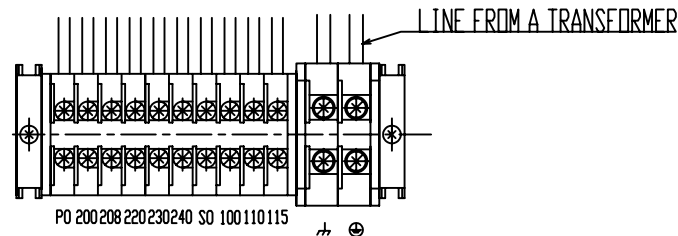
P-E	2.1 kV	1min
P-S	4.2 kV	1min
S-E	1.4 kV	1min

WITH EARTH-SHIELD PLATE BETWEEN
H. V. AND L. V. WINDING
TERMINAL (TOYOGIKEN)

- PRI.: FP 20 6P 22A, M3. 5, max2sq
- SEC.: FP 20 4P 22A, M3. 5, max2sq
- ↗: FP 40 1P 40A, M4, max5. 5sq
- ⊕: FP 40 1P 40A, M4, max5. 5sq



TERMINAL ARRANGEMENT



NAME PLATE

DRY-TYPE TRANSFORMER		STANDARD EN61558-2-4 (IEC61558)	
TYPE AEN-500E	50/60 Hz	PRI. PO 200 208 220 230 240	
CAPACITY 500 VA		SO 100 110 115	
PR. V 240-230-220-208-200 V			
SEC. V 115-110-100 V	SEC. A 5.00 A SEC.		
% IMP	at 75°C		
to 40 °C	MASS 10 kg	FOR INDOOR USE ONLY IP00	
DATE	SER. No.	AIHARA ELECTRIC CO., LTD.	

		尺度 / SCALE	檢圖 / CHECKED	設計 / DESIGNED	製圖 / DRAWN	担当者 / APPROVED	名称 / TITLE
		單位 / UNIT					AEN-500E DRY-TYPE TRANSFORMER
符号 MARK	年月日 DATE	第三角法 / 3RD ANGLE PROJECTION	日付 / DATE	相原電機株式会社 / AIHARA ELECTRIC CO., LTD.			図面番号 / DRW. NO.
変更 / CHANGE							