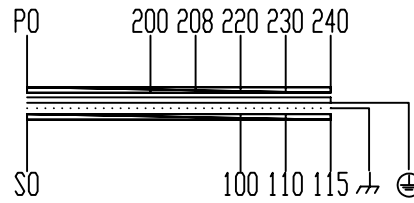
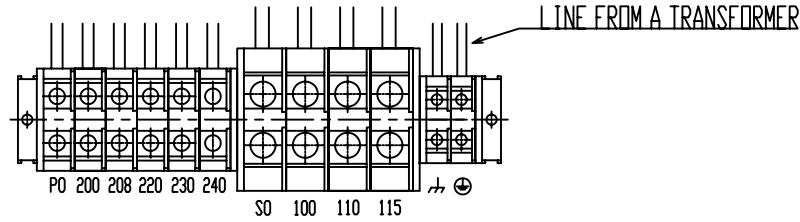


CONNECTION DIAGRAM



TERMINAL ARRANGEMENT



DRY-TYPE TRANSFORMER
FOR INDOOR USE ONLY

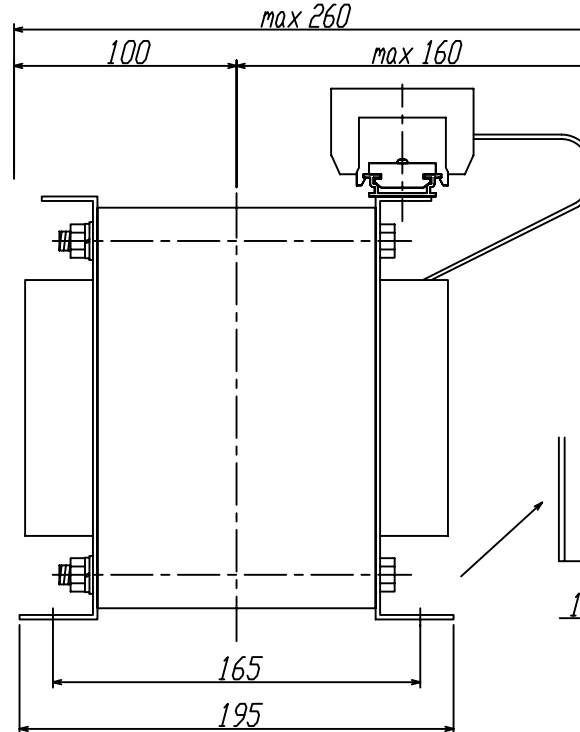
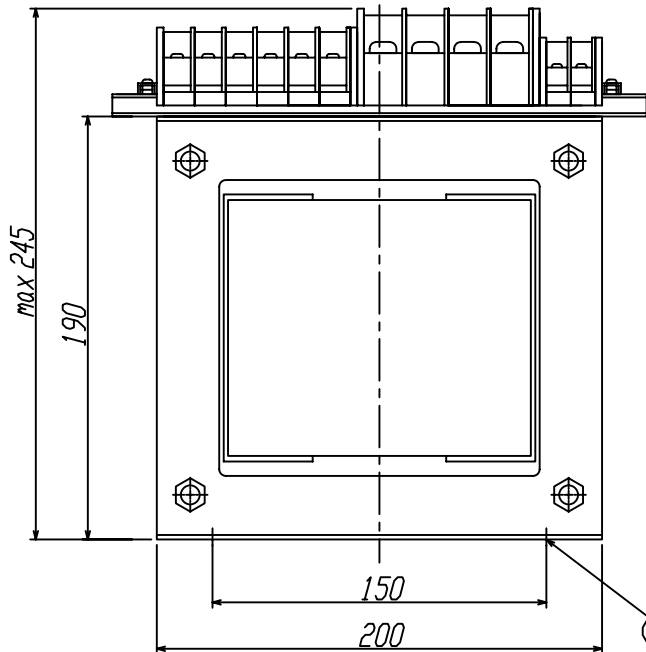
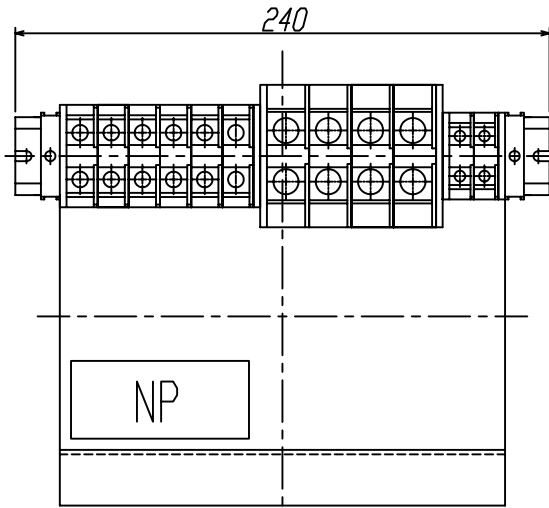
PHASE	~	
FREQUENCY	50/60	Hz
RATING	CONT.	
CAPACITY	3	kVA
PRI. VOLTAGE	240-230-220-208-200 V	
SEC. VOLTAGE	115-110-100 V	
SEC. CURRENT	30.0	A
INS. CLASS	B	
MASS	34	kg
HIGHEST AMBIENT TEMPERATURE	40 °C	
STANDARD	EN61558-2-4 (IEC61558)	
DIELECTRIC STRENGTH		
	P-E	2.1 kV 1min
	P-S	4.2 kV 1min
	S-E	1.4 kV 1min

WITH EARTH-SHIELD PLATE BETWEEN
H. V. AND L. V. WINDING
TERMINAL (TOYOGIKEN)

- PRI.: PT-80 6P 75A, M5, max14sq
- SEC.: PT-90 4P 95A, M6, max22sq
- ⌘: PT-40 1P 40A, M4, max5.5sq
- ⊕: PT-40 1P 40A, M4, max5.5sq

NAME PLATE

DRY-TYPE TRANSFORMER		STANDARD EN61558-2-4 (IEC61558)	
TYPE AEN-3KE	~	PRI. P0 200 208 220 230 240	
CAPACITY 3 kVA	50/60 Hz	SEC. S0 100 110 115	
PRI. V 240-230-220-208-200 V	SEC. A 30.0 A		
SEC. V 115-110-100 V	% at 75°C		
% IMP	at 75°C		
to 40 °C	MASS 34 kg	FOR INDOOR USE ONLY IP00	
DATE	SER. No.	AIHARA ELECTRIC CO., LTD.	



			尺度 / SCALE	検 査 / CHECKED	設 計 / DESIGNED	製 図 / DRAWN	担 当 者 / APPROVED	名 称 / TITLE
			単 位 / UNIT					AEN-3KE DRY-TYPE TRANSFORMER
符 号 / MARK	年 月 日 / DATE	記 事 / CONTENTS	第三角法 / 3RD ANGLE PROJECTION	日 付 / DATE	相原電機株式会社 / AIHARA ELECTRIC CO., LTD.			図 面 番 号 / DRW'G NO.
変 更 / CHANGE								