

DRY-TYPE TRANSFORMER FOR INDOOR USE ONLY

PHASE	~	
FREQUENCY	50/60	Hz
RATING	CONT.	
CAPACITY	?	kVA
PRI. VOLTAGE	240-230-220-208-200 V	
SEC. VOLTAGE	115-110-100 V	
SEC. CURRENT	20.0	A
INS. CLASS	B	
MASS	30	kg
HIGHEST AMBIENT TEMPERATURE	40 °C	
STANDARD	EN61558-2-4 (IEC61558)	
DIELECTRIC STRENGTH		

P-E	2.1 kV	1min
P-S	4.2 kV	1min
S-E	1.4 kV	1min

WITH EARTH-SHIELD PLATE BETWEEN
H. V. AND L. V. WINDING
TERMINAL (TOYOGIKEN)

- PRI.: FP-40 6P 40A, M4, max5.5sq
- SEC.: FP-80 4P 75A, M5, max14sq
- ↗: FP-40 1P 40A, M4, max5.5sq
- ⊕: FP-40 1P 40A, M4, max5.5sq

NAME PLATE

DRY-TYPE TRANSFORMER STANDARD EN61558-2-4 (IEC61558)

TYPE AEN-2KE ~

CAPACITY 2 kVA 50/60 Hz

PRI. V 240-230-220-208-200 V

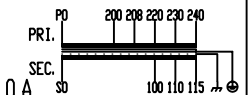
SEC. V 115-110-100 V SEC. A 20.0 A

% IMP % at 75°C

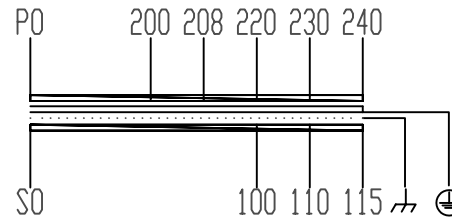
to 40 °C MASS 30 kg FOR INDOOR USE ONLY IP00

DATE SER. No.

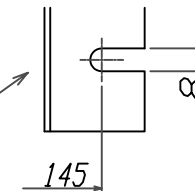
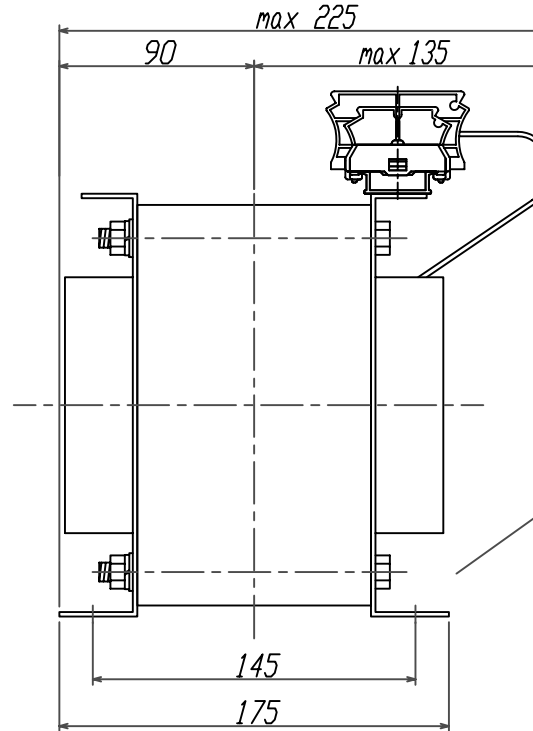
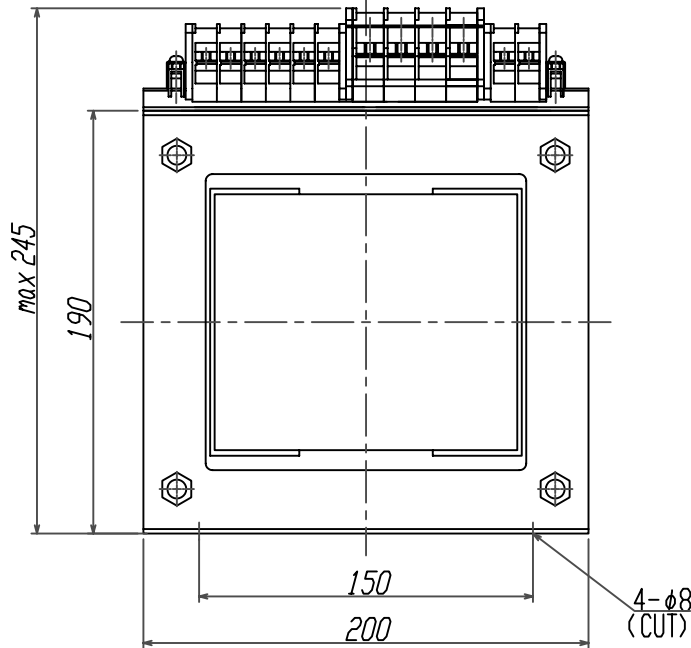
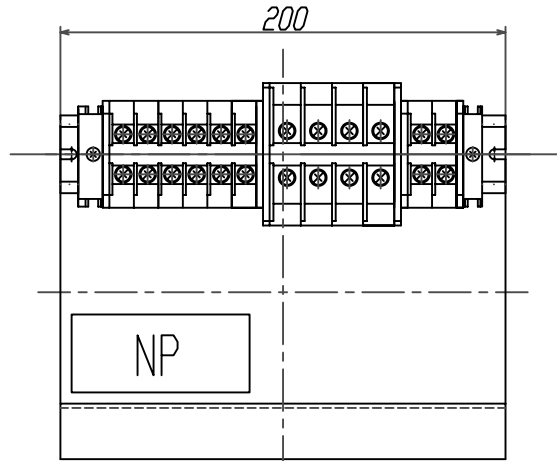
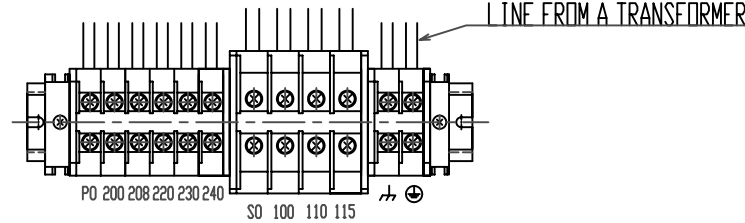
AIHARA ELECTRIC CO., LTD.



CONNECTION DIAGRAM



TERMINAL ARRANGEMENT



符号 MARK	年月日 DATE	記事 CONTENTS	尺度 SCALE / UNIT mm	検閲 CHECKED	設計 DESIGNED	製図 DRAWN	担当者 APPROVED	名称 TITLE
			第三角法 3RD ANGLE PROJECTION					AEN-2KE DRY-TYPE TRANSFORMER
変更 CHANGE				日付 DATE	相原電機株式会社 AIHARA ELECTRIC CO., LTD.			図面番号 DRW. NO.