



DRY-TYPE TRANSFORMER FOR INDOOR USE ONLY

PHASE	~	
FREQUENCY	50/60	Hz
RATING	CONT.	
CAPACITY	200	VA
PRI. VOLTAGE	240-230-220-208-200	V
SEC. VOLTAGE	115-110-100	V
SEC. CURRENT	2.00	A
INS. CLASS	B	
MASS	8	kg
HIGHEST AMBIENT TEMPERATURE	40	°C
STANDARD	EN61558-2-4 (IEC61558)	
DIELECTRIC STRENGTH	P-E	2.1 kV 1min
	P-S	4.2 kV 1min
	S-E	1.4 kV 1min

WITH EARTH-SHIELD PLATE BETWEEN
H. V. AND L. V. WINDING

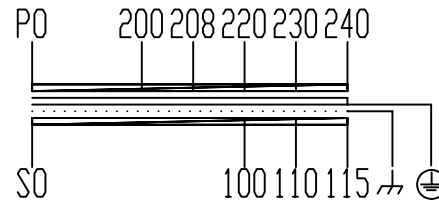
TERMINAL (TOYOGIKEN)

- PRI. : FP-20 6P 22A, M3.5, max2sq
- SEC. : FP-20 4P 22A, M3.5, max2sq
- ↗ : FP-40 1P 40A, M4, max5.5sq
- ⊕ : FP-40 1P 40A, M4, max5.5sq

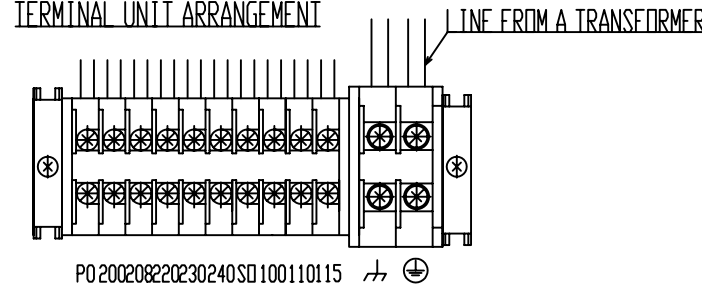
NAME PLATE

DRY-TYPE TRANSFORMER		STANDARD EN61558-2-4 (IEC61558)
TYPE AEN-200E	~ 50/60 Hz	
CAPACITY 200VA		
PRI. V 240-230-220-208-200 V		
SEC. V 115-110-100 V	SEC. A 2.00 A	
% IMP	at 75°C	
to 40 °C	MASS 8 kg	
DATE	SER. No.	FOR INDOOR USE ONLY IPOO
AIHARA ELECTRIC CO., LTD.		

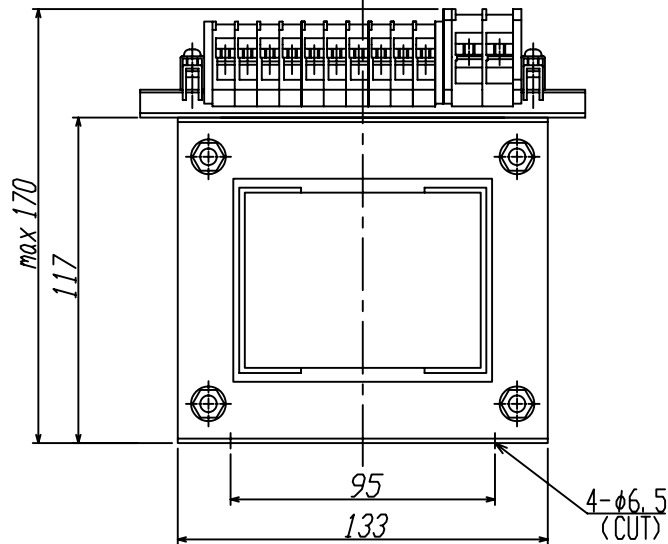
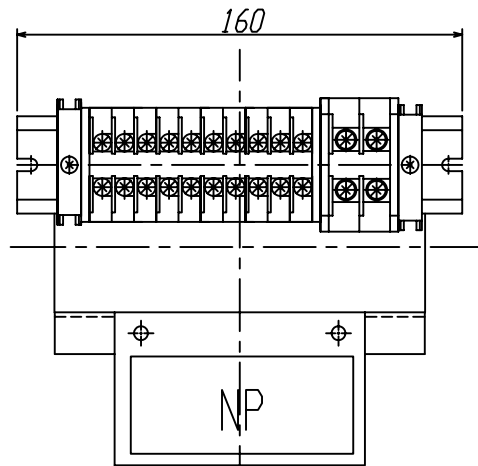
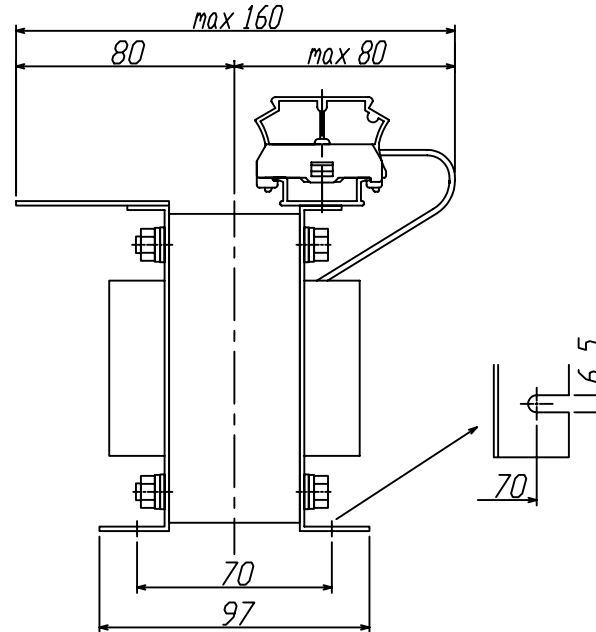
CONNECTION DIAGRAM



TERMINAL UNIT ARRANGEMENT



PO 200 208 220 230 240 SO 100 110 115 ↗ ⊕



			尺度 / SCALE /	検 査 CHECKED	設 計 DESIGNED	製 図 DRAWN	担当者 APPROVED	名 称 TITLE
			単 位 UNIT mm					AEN-200E DRY-TYPE TRANSFORMER
符号 MARK	年月日 DATE	記 事 CONTENTS	第三角法 3RD ANGLE PROJECTION	日 付 DATE	相原電機株式会社 AIHARA ELECTRIC CO., LTD.			図面番号 DRY G. NO.
変 更 CHANGE								