



DRY-TYPE TRANSFORMER FOR INDOOR USE ONLY

PHASE	~	
FREQUENCY	50/60	Hz
RATING	CONT.	
CAPACITY	1	kVA
PRI. VOLTAGE	240-230-220-208-200 V	
SEC. VOLTAGE	115-110-100 V	
SEC. CURRENT	10.0	A
INS. CLASS	B	
MASS	15	kg
HIGHEST AMBIENT TEMPERATURE	40 °C	
STANDARD	EN61558-2-4 (IEC61558)	
DILECTRIC STRENGTH		
	P-E	2.1 kV 1min
	P-S	4.2 kV 1min
	S-E	1.4 kV 1min

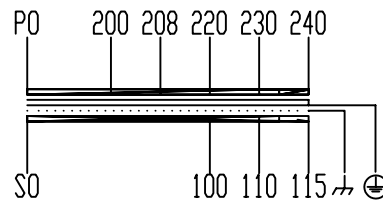
WITH EARTH-SHIELD PLATE BETWEEN
H. V. AND L. V. WINDING
TERMINAL (TOYOGIKEN)

- PRI.: FP-20 6P 22A, M3. 5, max2sq
- SEC.: FP-40 4P 40A, M4, max5. 5sq
- ↗: FP-40 1P 40A, M4, max5. 5sq
- ⊕: FP-40 1P 40A, M4, max5. 5sq

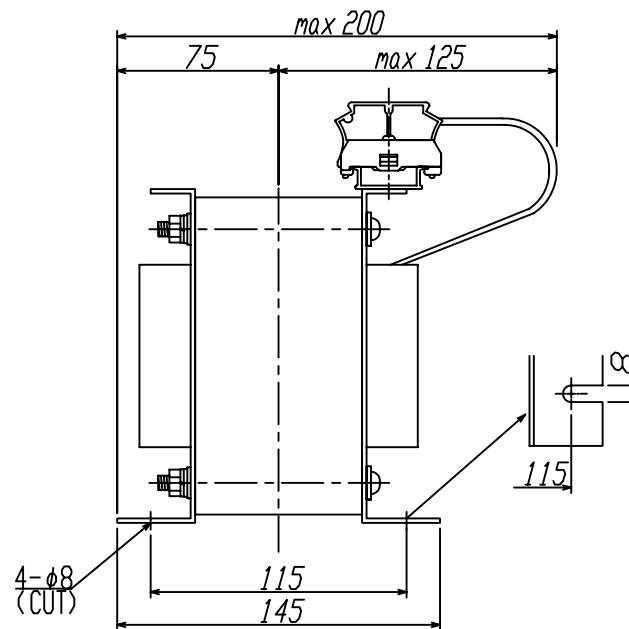
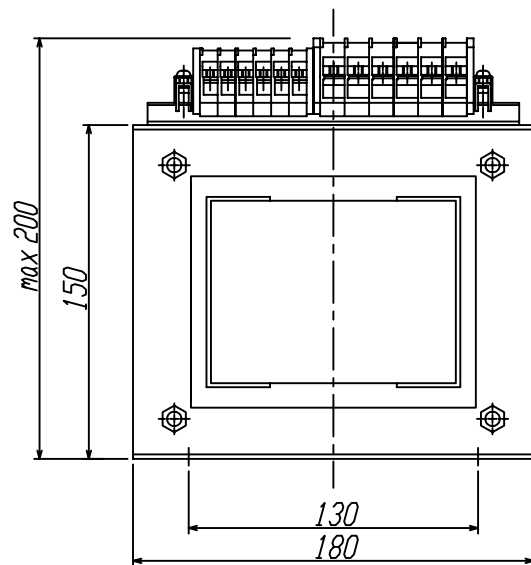
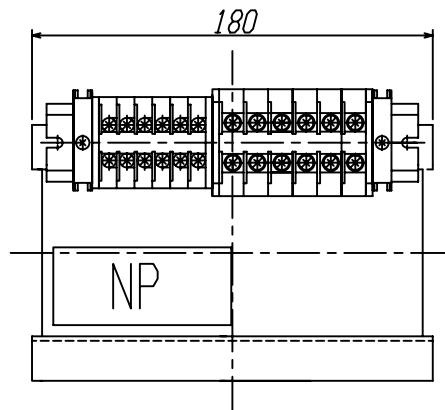
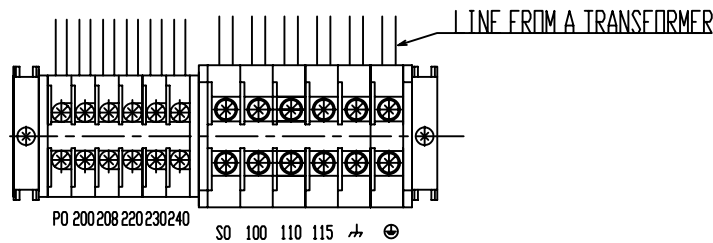
NAME PLATE

DRY-TYPE TRANSFORMER	STANDARD EN61558-2-4 (IEC61558)
TYPE AEN-1KE	
CAPACITY 1 kVA	50/60 Hz
PRI. V 240-230-220-208-200 V	
SEC. V 115-110-100 V	SEC. A 10.0 A
% IMP to 40 °C	at 75 °C
DATE	SER. No.
AIHARA ELECTRIC CO., LTD.	

CONNECTION DIAGRAM



TERMINAL ARRANGEMENT



			尺度 / SCALE	檢圖 / CHECKED	設計 / DESIGNED	製圖 / DRAWN	担当者 / APPROVED	名称 / TITLE
			單位 / UNIT					AEN-1KE
			第三角法 / 3RD ANGLE PROJECTION					DRY-TYPE TRANSFORMER
符号 MARK	年月日 DATE	記事 CONTENTS		日付 DATE	相原電機株式会社 / AIHARA ELECTRIC CO., LTD.			図面番号 / DRW'G NO.
		変更 CHANGE						